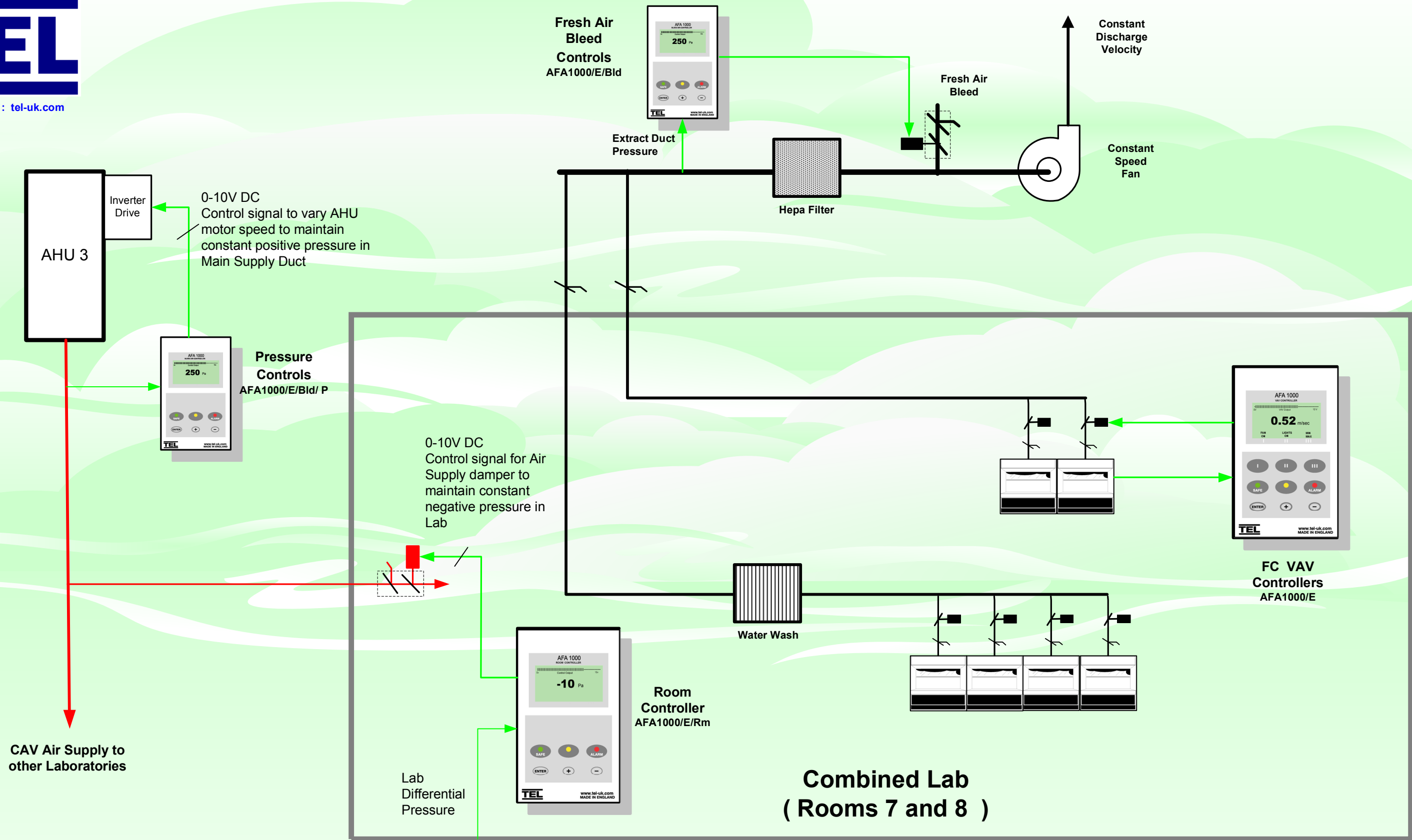


Web site : tel-uk.com



Sample VAV Lab 2 Combined VAV controls with Fume Scrubber and Hepa filter compensation