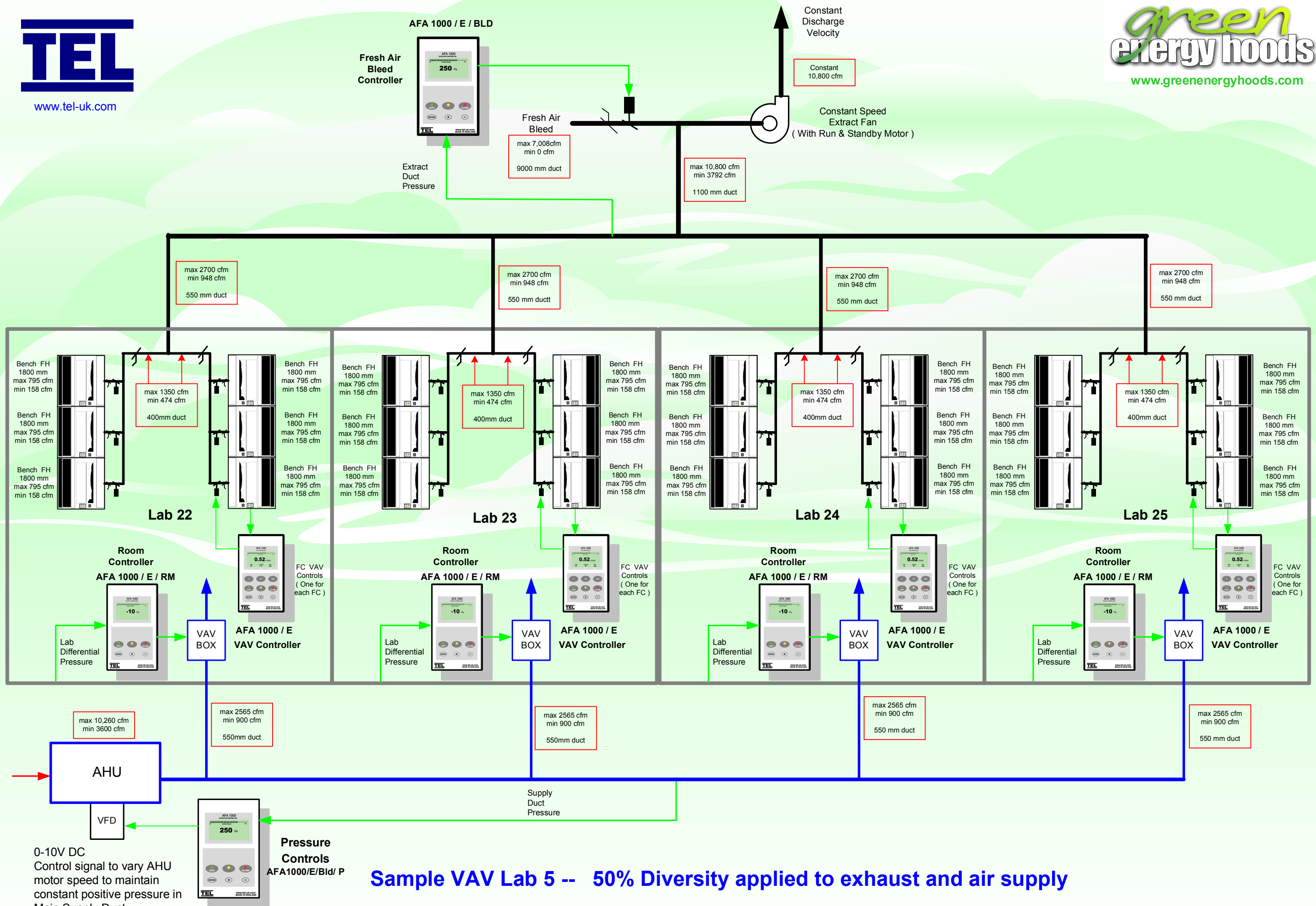


Sample VAV Lab 5 -- No Diversity applied to exhaust and air supply



Sample VAV Lab 5 -- 50% Diversity applied to exhaust and air supply