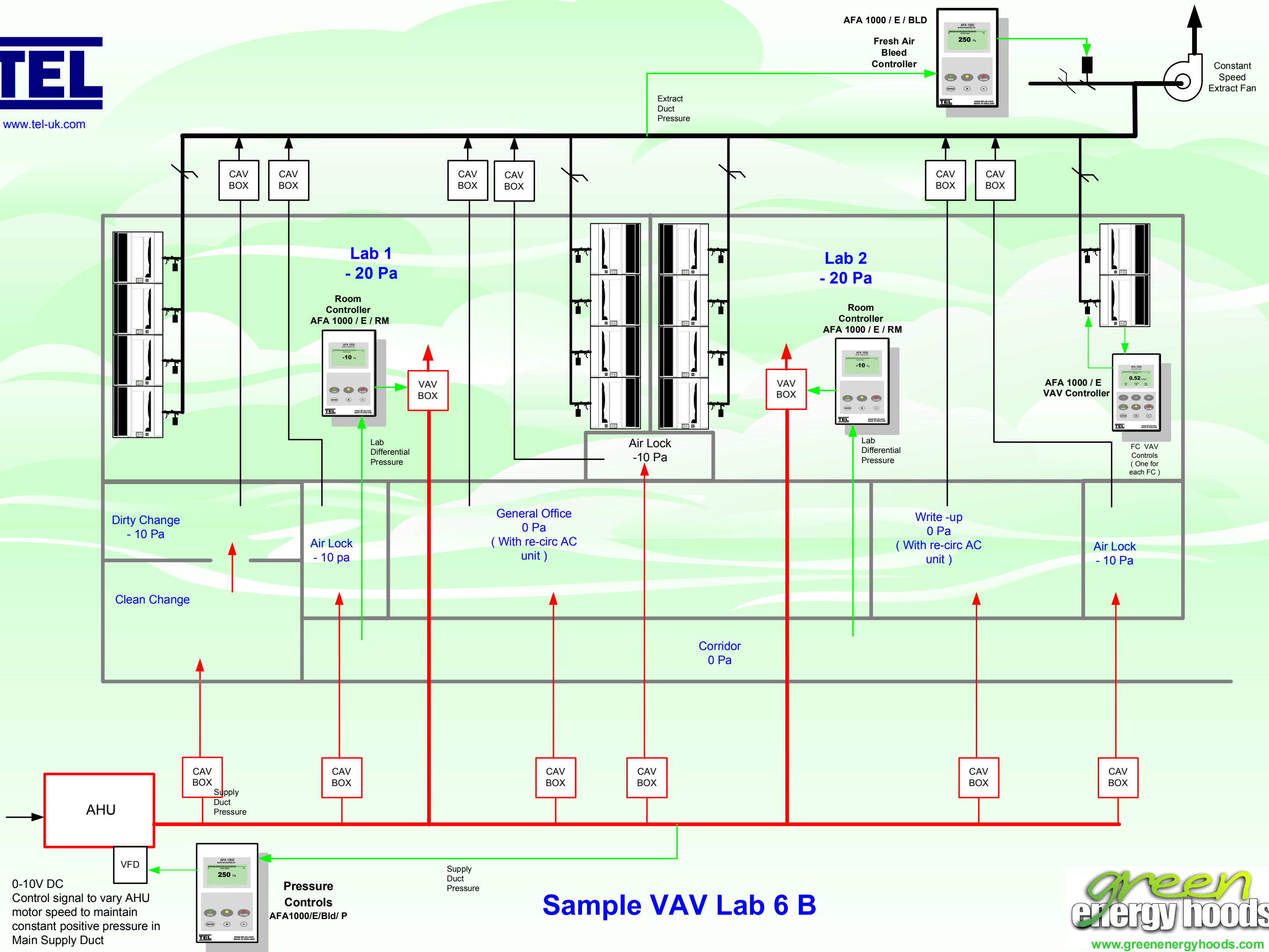


0-10V DC
Control signal to vary AHU
motor speed to maintain
constant positive pressure in
Main Supply Duct

Pressure
Controls
AFA1000/E/BLD/P

Sample VAV Lab 6 A



Sample VAV Lab 6 B